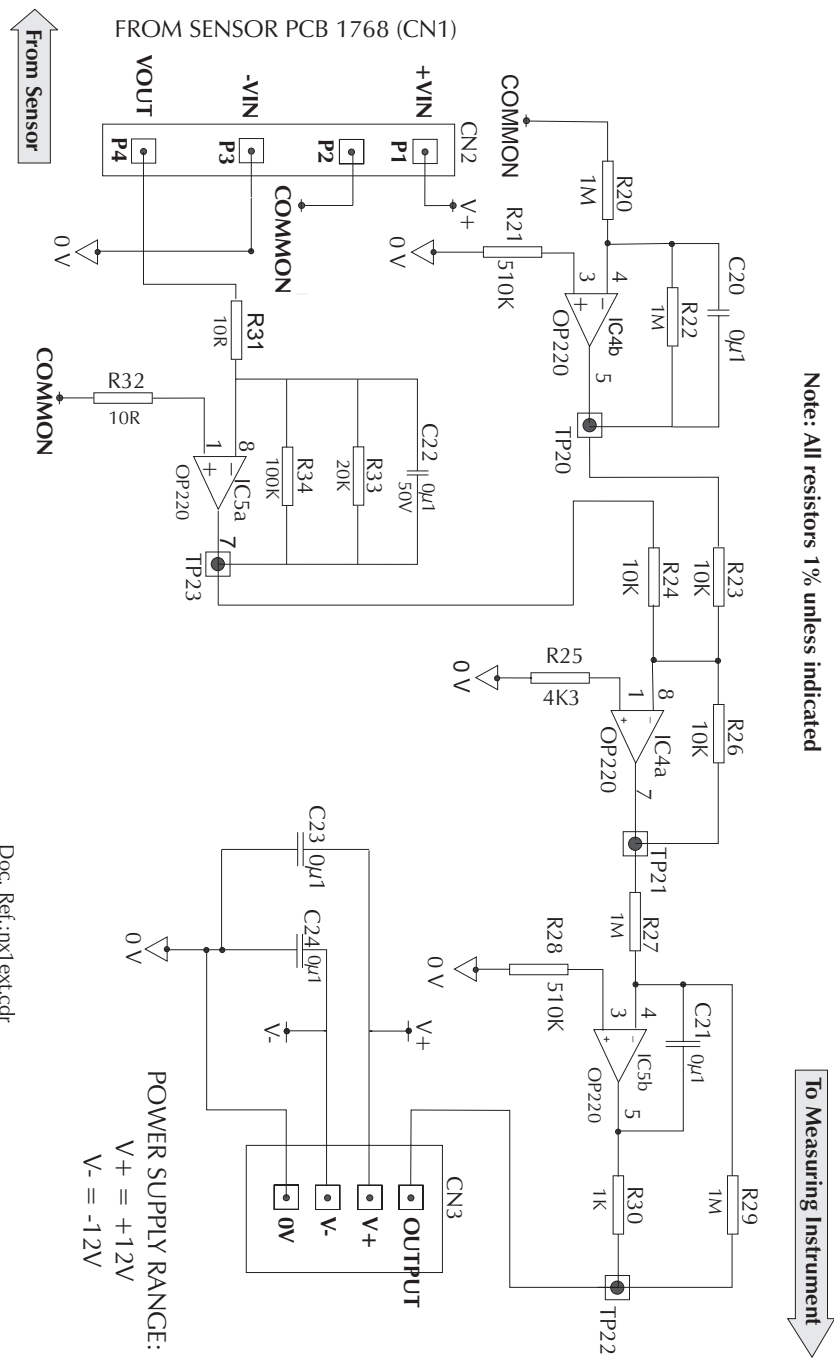




# Application Note 15 NX1 Circuitry

This diagram shows the recommended operating circuit for the NX1 CiTiceL, designed to give an output of 0-5V over the range 0-5000ppm, where the sensitivity is 60nA/ppm.

Figure AP15.1  
External circuit diagram



Doc. Ref.:nx1ext.cdr  
Issue No.:09 June, 1998

**POWER SUPPLY RANGE:**  
V+ = +12V  
V- = -12V